

REPLACEMENT

GES High Voltage, Inc.
November 2017



REDESIGN SERIES 100

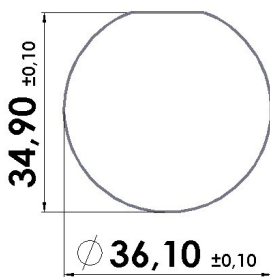
Dear customer or prospective customer,

With this letter, we would like to inform you that we have **modified and significantly improved our Series 100** offering a whole range of improvements and advantages at the **same price**.

The new version will be available **as of February 1, 2018** while the existing version will be ultimately discontinued **as of March 31, 2018**.

WHAT TO CONSIDER

The new Series 100 is offered exclusively in high-quality PTFE, all POM variants are replaced by PTFE.



Mating of the plugs and receptacles of the current version is **fully compatible** with the new version!

Please note, that the size of the **mounting hole has slightly changed** from 36 dia (plus a small hole for anti-rotation) to 34.9 x 36.10mm, which provides a more robust anti-rotation method. Please take this into consideration when planning your installation or purchase. **Preliminary drawings are available.**

Together with the redesigned Series 100 we are also introducing new part numbers and descriptions - refer to the table below.

For further information, please do not hesitate to contact us.

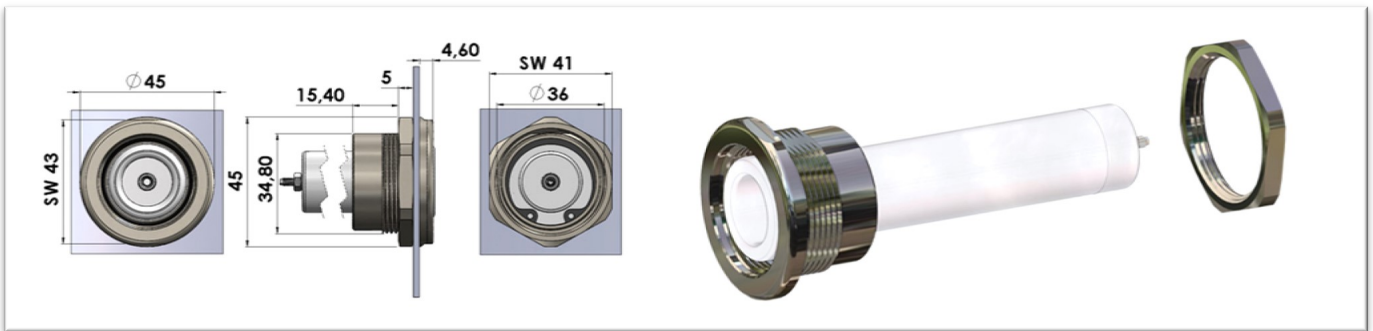
Best regards,
GES High Voltage, Inc.

SCHEDULE

- ⇒ The S100 redesign is available as of Feb. 1, 2018
- ⇒ The existing S100 will be discontinued as of March. 31. 2018

CHANGES

- ⇒ The new S100 will be available in PTFE only
- ⇒ Mating is fully compatible with the current version
- ⇒ Attention: Modified mounting hole!
- ⇒ New descriptions and part numbers



Receptacle, Panel Mount (GB-100)

- Improved anti-rotation due to modified mounting cut-out. An oil-tight version is now available!
- Significantly simplified assembly and fixing of the housing by fastening with standard hexagon nut and fork wrench. No special tools required!
- Additional spanner flats on the flange surface for counter-mounting during assembly.
- More robust mounting nut.

FEATURES

- ⇒ Improved rotation protection
- ⇒ Simplified assembly
- ⇒ Optimized housing
- ⇒ Integrated cable gland
- ⇒ Higher protection class
- ⇒ Improved shielding
- ⇒ Fully compatible mating



Plug, Cable Mount (KS-100)

- Improved robust housing with nickel-plated surface.
- Integrated cable gland, thus better IP protection class (at least IP62).
- Improved shielding by contacting the screen inside the housing instead of the cable gland.
- Use of external cable glands still possible (with new adapter).
- Simplified assembly by additional spanner flats on the housing for counter-mounting during cable assembly.

SPECIFICATIONS

- ⇒ Operating voltage: 10-100 kV DC
- ⇒ Test voltage: 15-150 kV DC
- ⇒ Rated current: 30-80 A
- ⇒ Continuous resistance: 300 $\mu\Omega$
- ⇒ Connection type: Solder / screw
- ⇒ Protection Class: IP62
- ⇒ Combustibility : UL94 V-0