



- Operating voltage up to 12 kVDC
- Operating current up to 25 A / 30 A
- Up to 14 high voltage contacts
- Robust industrial connector shells with lever locking system
- Combinable with modules for low voltage, signal transmission and pneumatic
- Protection class IP65 (mated connector)

## General characteristics and technical data type MOD-HP

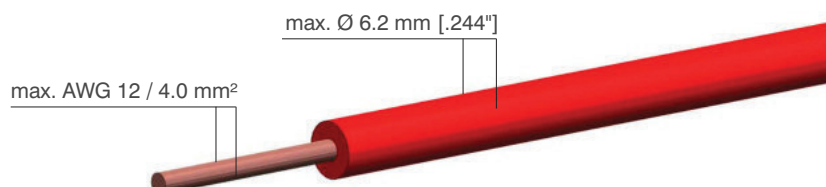
Housings	
Number of module slots	2, 3, 5, 7
Locking system	lever locking
Mounting type (panel mount connector)	4-hole-flange
Housing material	aluminium alloy
Surface plating	epoxy powder coating
Protection class (mated connector)	IP65 acc. DIN EN 60529
Operating temperature	-30°C to +80°C

Contacts type MOD-HP	
Termination method	crimp / solder
Rated current (at +23°C)	25 A
Contact resistance	≤ 2 mΩ
Contact diameter	2.5 mm
Wire size (AWG / cross section)	AWG 20-12 (0.5 - 4.0 mm <sup>2</sup> )
Contact material	copper alloy
Contact plating	silver (Ag)
Mating cycles	≥ 500

Contacts not included. Choose contacts from page 176.

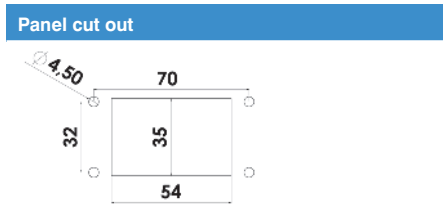
Module type MOD-HP	
Number of pins	2
Material	PA 6.6 GF
Flammability class	UL94 V-0
Operating temperature	-40°C to +125°C
CTI-Value	600
Insulating material group	I (DIN IEC 60664)
Max. diameter of dielectric cable insulation (single wire)	6.2 mm

### Suitable cable dimensions (single wire)



Electrical values	
Operating voltage (DC)	12 kV
Test voltage (DC)	18 kV

Characteristics	
Number of pins	2
Insulation material	PA 6.6 GF



Suitable contacts on page 176

Type / Version / Part number	Picture / Drawing
Receptacle, panel mount GBR 1HP/2M Part no. 9021300	
Plug, panel mount GSR 1HP/2M Part no. 9021350	
Plug, cable mount, cable entry top M25 KSR 1HP/AO/2M Part no. 9021010	
Plug, cable mount, cable entry side 90° M25 KSR 1HP/AS/2M Part no. 9021200	
Receptacle, cable mount, cable entry top M25 KBR 1HP/AO/2M Part no. 9021150	
Receptacle, cable mount, cable entry side 90° M25 KBR 1HP/AS/2M Part no. 9021250	

**Contacts:** pages 176-181  
**Cable glands and tools:** page 185

drawing - dimensions in mm [inch]

Electrical values		Characteristics		Panel cut out
Operating voltage (DC)	12 kV	Number of pins	4	
Test voltage (DC)	18 kV	Insulation material	PA 6.6 GF	

Suitable contacts on page 176

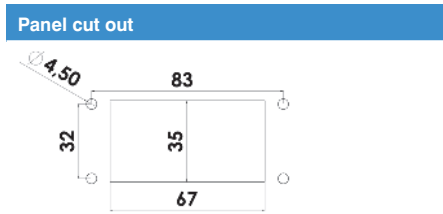
Type / Version / Part number	Picture / Drawing
Receptacle, panel mount GBR 2HP/2M Part no. 9022300	
Plug, panel mount GSR 2HP/2M Part no. 9022350	
Plug, cable mount, cable entry top M25 KSR 2HP/AO/2M Part no. 9022100	
Plug, cable mount, cable entry side 90° M25 KSR 2HP/AS/2M Part no. 9022200	
Receptacle, cable mount, cable entry top M25 KBR 2HP/AO/2M Part no. 9022150	
Receptacle, cable mount, cable entry side 90° M25 KBR 2HP/AS/2M Part no. 9022250	

drawing - dimensions in mm [inch]

**Contacts:** pages 176-181  
**Cable glands and tools:** page 185

Electrical values	
Operating voltage (DC)	12 kV
Test voltage (DC)	18 kV

Characteristics	
Number of pins	6
Insulation material	PA 6.6 GF



Suitable contacts on page 176

Type / Version / Part number	Picture / Drawing
Receptacle, panel mount GBR 3HP/3M Part no. 9033300	
Plug, panel mount GSR 3HP/3M Part no. 9033350	
Plug, cable mount, Cable entry top M32 KSR 3HP/AO/3M Part no. 9033100	
Plug, cable mount, cable entry side 90° M32 KSR 3HP/AS/3M Part no. 9033200	
Receptacle, cable mount, cable entry top M32 KBR 3HP/AO/3M Part no. 9033150	
Receptacle, cable mount, cable entry side 90° M32 KBR 3HP/AS/3M Part no. 9033250	

**Contacts:** pages 176-181  
**Cable glands and tools:** page 185

drawing - dimensions in mm [inch]

Electrical values		Characteristics		Panel cut out
Operating voltage (DC)	12 kV	Number of pins	8	
Test voltage (DC)	18 kV	Insulation material	PA 6.6 GF	

Suitable contacts on page 176

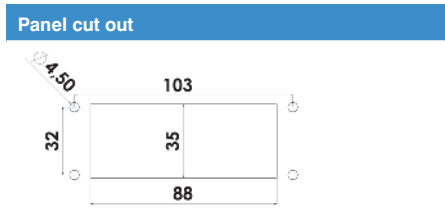
Type / Version / Part number	Picture / Drawing
Receptacle, panel mount GBR 4HP/5M Part no. 9054300	
Plug, panel mount GSR 4HP/5M Part no. 9054350	
Plug, cable mount, cable entry top M40 KSR 4HP/AO/5M Part no. 9054100	
Plug, cable mount, cable entry side 90° M40 KSR 4HP/AS/5M Part no. 9054200	
Receptacle, cable mount, cable entry top M40 KBR 4HP/AO/5M Part no. 9054150	
Receptacle, cable mount, cable entry side 90° M40 KBR 4HP/AS/5M Part no. 9054250	

drawing - dimensions in mm [inch]

**Contacts:** pages 176-181  
**Cable glands and tools:** page 185

Electrical values	
Operating voltage (DC)	12 kV
Test voltage (DC)	18 kV

Characteristics	
Number of pins	10
Insulation material	PA 6.6 GF



Suitable contacts on page 176

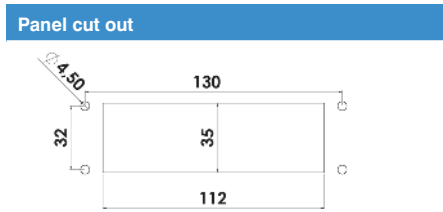
Type / Version / Part number	Picture / Drawing
Receptacle, panel mount GBR 5HP/5M Part no. 9055300	
Plug, panel mount GSR 5HP/5M Part no. 9055350	
Plug, cable mount, cable entry top M40 KSR 5HP/AO/5M Part no. 9055100	
Plug, cable mount, cable entry side 90° M40 KSR 5HP/AS/5M Part no. 9055200	
Receptacle, cable mount, cable entry top M40 KBR 5HP/AO/5M Part no. 9055150	
Receptacle, cable mount, cable entry side 90° M40 KBR 5HP/AS/5M Part no. 9055250	

**Contacts:** pages 176-181  
**Cable glands and tools:** page 185

drawing - dimensions in mm [inch]

Electrical values	
Operating voltage (DC)	12 kV
Test voltage (DC)	18 kV

Characteristics	
Number of pins	12
Insulation material	PA 6.6 GF



Suitable contacts on page 176

Type / Version / Part number	Picture / Drawing	
Receptacle, panel mount GBR 6HP/7M Part no. 9076300		
Plug, panel mount GSR 6HP/7M Part no. 9076350		
Plug, cable mount, cable entry top M40 KSR 6HP/AO/7M Part no. 9076100		
Plug, cable mount, cable entry side 90° M40 KSR 6HP/AS/7M Part no. 9076200		
Receptacle, cable mount, cable entry top M40 KBR 6HP/AO/7M Part no. 9076150		
Receptacle, cable mount, cable entry side 90° M40 KBR 6HP/AS/7M Part no. 9076250		

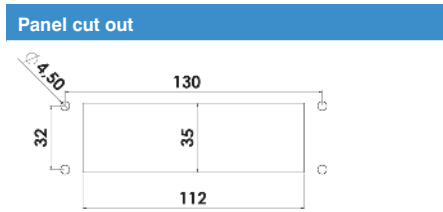
drawing - dimensions in mm [inch]

**Contacts:** pages 176-181  
**Cable glands and tools:** page 185



Electrical values	
Operating voltage (DC)	12 kV
Test voltage (DC)	18 kV

Characteristics	
Number of pins	14
Insulation material	PA 6.6 GF



Suitable contacts on page 176

Type / Version / Part number	Picture / Drawing
Receptacle, panel mount GBR 7HP/7M Part no. 9077300	
Plug, panel mount GSR 7HP/7M Part no. 9077350	
Plug, cable mount, cable entry top M40 KSR 7HP/AO/7M Part no. 9077100	
Plug, cable mount, cable entry side 90° M40 KSR 7HP/AS/7M Part no. 9077200	
Receptacle, cable mount, cable entry top M40 KBR 7HP/AO/7M Part no. 9077150	
Receptacle, cable mount, cable entry side 90° M40 KBR 7HP/AS/7M Part no. 9077250	

drawing - dimensions in mm [inch]

**Contacts:** pages 176-181  
**Cable glands and tools:** page 185

Part no.	Description	HV contacts	Plug	Receptacle	Cable mount	Connecting thread	Panel mount	Page
9021300	GBR 1HP/2M	2		•			•	149
9021350	GSR 1HP/2M	2	•				•	149
9021010	KSR 1HP/AO/2M	2	•		•	M25		149
9021200	KSR 1HP/AS/2M	2	•		•	M25		149
9021150	KBR 1HP/AO/2M	2		•	•	M25		149
9021250	KBR 1HP/AS/2M	2		•	•	M25		149
9022300	GBR 2HP/2M	4		•			•	150
9022350	GSR 2HP/2M	4	•				•	150
9022100	KSR 2HP/AO/2M	4	•		•	M25		150
9022200	KSR 2HP/AS/2M	4	•		•	M25		150
9022150	KBR 2HP/AO/2M	4		•	•	M25		150
9022250	KBR 2HP/AS/2M	4		•	•	M25		150
9033300	GBR 3HP/3M	6		•			•	151
9033350	GSR 3HP/3M	6	•				•	151
9033100	KSR 3HP/AO/3M	6	•		•	M32		151
9033200	KSR 3HP/AS/3M	6	•		•	M32		151
9033150	KBR 3HP/AO/3M	6		•	•	M32		151
9033250	KBR 3HP/AS/3M	6		•	•	M32		151
9054300	GBR 4HP/5M	8		•			•	152
9054350	GSR 4HP/5M	8	•				•	152
9054100	KSR 4HP/AO/5M	8	•		•	M40		152
9054200	KSR 4HP/AS/5M	8	•		•	M40		152
9054150	KBR 4HP/AO/5M	8		•	•	M40		152
9054250	KBR 4HP/AS/5M	8		•	•	M40		152
9055300	GBR 5HP/5M	10		•			•	153
9055350	GSR 5HP/5M	10	•				•	153
9055100	KSR 5HP/AO/5M	10	•		•	M40		153
9055200	KSR 5HP/AS/5M	10	•		•	M40		153
9055150	KBR 5HP/AO/5M	10		•	•	M40		153
9055250	KBR 5HP/AS/5M	10		•	•	M40		153
9076300	GBR 6HP/7M	12		•			•	154
9076350	GSR 6HP/7M	12	•				•	154
9076100	KSR 6HP/AO/7M	12	•		•	M40		154
9076200	KSR 6HP/AS/7M	12	•		•	M40		154
9076150	KBR 6HP/AO/7M	12		•	•	M40		154
9076250	KBR 6HP/AS/7M	12		•	•	M40		154
9077300	GBR 7HP/7M	14		•			•	155
9077350	GSR 7HP/7M	14	•				•	155
9077100	KSR 7HP/AO/7M	14	•		•	M40		155
9077200	KSR 7HP/AS/7M	14	•		•	M40		155
9077150	KBR 7HP/AO/7M	14		•	•	M40		155
9077250	KBR 7HP/AS/7M	14		•	•	M40		155

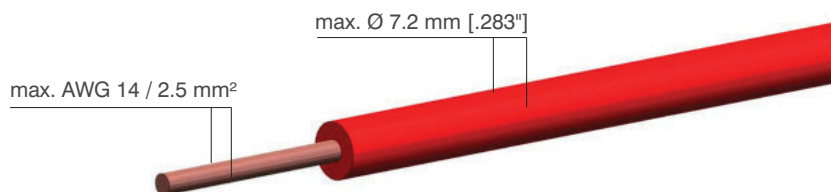
Housings	
Number of module slots	2, 3, 5, 7
Locking system	lever locking
Mounting type (panel mount connector)	4-hole-flange
Housing material	aluminium alloy
Surface plating	epoxy powder coating
Protection class (in mated condition)	IP65 acc. DIN EN 60529
Operating temperature	-30°C to +80°C

Contacts type MOD-T	
Termination method	solder
Rated current (at +23°C)	30 A
Contact resistance	300μΩ
Contact diameter	2.7 mm
Wire size (AWG / cross section)	AWG 14 / 2.5 mm <sup>2</sup>
Contact material	brass (CuZn)
Contact plating	silver (Ag)
Mating cycles	≥ 100000

**Contacts included**

Module type MOD-T	
Number of pins	2
Module material	PA 6.6 GF
Insulation material	PTFE
Flammability class	UL94 V-0
Operating temperature modules	-40°C to +125°C
Operating temperature insulation parts	-50°C to +260°C
CTI-Value	600
Insulating material group	I (DIN IEC 60664)
Max. diameter of dielectric cable insulation (single wire)	7.2 mm

### Suitable cable dimensions (single wire)



Electrical values		Characteristics		Panel cut out
Operating voltage (DC)	12 kV	Number of pins	2	
Test voltage (DC)	18 kV	Insulation material	PTFE	

Contacts included.

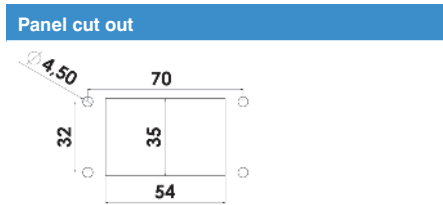
Type / Version / Part number	Picture / Drawing	
Receptacle, panel mount GBR 1T2/2M Part no. 9021305		
Plug, panel mount GSR 1T2/2M Part no. 9021355		
Plug, cable mount, cable entry top M25 KSR 1T2/AO/2M Part no. 9021015		
Plug, cable mount, cable entry side 90° M25 KSR 1T2/AS/2M Part no. 9021205		
Receptacle, cable mount, cable entry top M25 KBR 1T2/AO/2M Part no. 9021155		
Receptacle, cable mount, cable entry side 90° M25 KBR 1T2/AS/2M Part no. 9021255		

drawing - dimensions in mm [inch]

**Cable glands and tools: page 185**

Electrical values	
Operating voltage (DC)	12 kV
Test voltage (DC)	18 kV

Characteristics	
Number of pins	4
Insulation material	PTFE



Contacts included.

Type / Version / Part number	Picture / Drawing	
Receptacle, panel mount GBR 2T2/2M Part no. 9022305		
Plug, panel mount GSR 2T2/2M Part no. 9022355		
Plug, cable mount, cable entry top M25 KSR 2T2/AO/2M Part no. 9022105		
Plug, cable mount, cable entry side 90° M25 KSR 2T2/AS/2M Part no. 9022205		
Receptacle, cable mount, cable entry top M25 KBR 2T2/AO/2M Part no. 9022155		
Receptacle, cable mount, cable entry side 90° M25 KBR 2T2/AS/2M Part no. 9022255		

Cable glands and tools: page 185

drawing - dimensions in mm [inch]

Electrical values		Characteristics		Panel cut out
Operating voltage (DC)	12 kV	Number of pins	6	
Test voltage (DC)	18 kV	Insulation material	PTFE	

Contacts included.

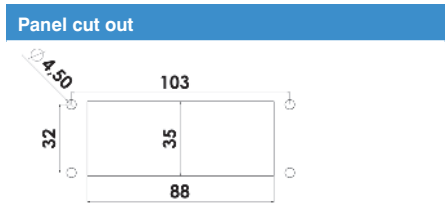
Type / Version / Part number	Picture / Drawing	
Receptacle, panel mount GBR 3T2/3M Part no. 9033305		
Plug, panel mount GSR 3T2/3M Part no. 9033355		
Plug, cable mount, cable entry top M32 KSR 3T2/AO/3M Part no. 9033105		
Plug, cable mount, cable entry side 90° M32 KSR 3T2/AS/3M Part no. 9033205		
Receptacle, cable mount, cable entry top M32 KBR 3T2/AO/3M Part no. 9033155		
Receptacle, cable mount, cable entry side 90° M32 KBR 3T2/AS/3M Part no. 9033255		

drawing - dimensions in mm [inch]

**Cable glands and tools: page 185**

Electrical values	
Operating voltage (DC)	12 kV
Test voltage (DC)	18 kV

Characteristics	
Number of pins	8
Insulation material	PTFE



Contacts included.

Type / Version / Part number	Picture / Drawing	
Receptacle, panel mount GBR 4T2/5M Part no. 9054305		
Plug, panel mount GSR 4T2/5M Part no. 9054355		
Plug, cable mount, cable entry top M40 KSR 4T2/AO/5M Part no. 9054105		
Plug, cable mount, cable entry side 90° M40 KSR 4T2/AS/5M Part no. 9054205		
Receptacle, cable mount, cable entry top M40 KBR 4T2/AO/5M Part no. 9054155		
Receptacle, cable mount, cable entry side 90° M32 KBR 4T2/AS/5M Part no. 9054255		

drawing - dimensions in mm [inch]

**Cable glands and tools: page 185**

Electrical values		Characteristics		Panel cut out
Operating voltage (DC)	12 kV	Number of pins	10	
Test voltage (DC)	18 kV	Insulation material	PTFE	

Contacts included.

Type / Version / Part number	Picture / Drawing	
Receptacle, panel mount GBR 5T2/5M Part no. 9055305		
Plug, panel mount GSR 5T2/5M Part no. 9055355		
Plug, cable mount, cable entry top M40 KSR 5T2/AO/5M Part no. 9055105		
Plug, cable mount, cable entry side 90° M40 KSR 5T2/AS/5M Part no. 9055205		
Receptacle, cable mount, cable entry top M40 KBR 5T2/AO/5M Part no. 9055155		
Receptacle, cable mount, cable entry side 90° M40 KBR 5T2/AS/5M Part no. 9055255		

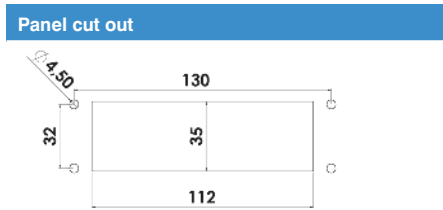
drawing - dimensions in mm [inch]

**Cable glands and tools: page 185**



Electrical values	
Operating voltage (DC)	12 kV
Test voltage (DC)	18 kV

Characteristics	
Number of pins	12
Insulation material	PTFE



**Contacts included.**

Type / Version / Part number	Picture / Drawing
<b>Receptacle, panel mount</b> GBR 6T2/7M Part no. 9076305	
<b>Plug, panel mount</b> GSR 6T2/7M Part no. 9076355	
<b>Plug, cable mount, cable entry top M40</b> KSR 6T2/AO/7M Part no. 9076105	
<b>Plug, cable mount, cable entry side 90° M40</b> KSR 6T2/AS/7M Part no. 9076215	
<b>Receptacle, cable mount, cable entry top M40</b> KBR 6T2/AO/7M Part no. 9076155	
<b>Receptacle, cable mount, cable entry side 90° M40</b> KBR 6T2/AS/7M Part no. 9076255	

drawing - dimensions in mm [inch]

**Cable glands and tools: page 185**

Electrical values		Characteristics		Panel cut out
Operating voltage (DC)	12 kV	Number of pins	14	
Test voltage (DC)	18 kV	Insulation material	PTFE	

Contacts included.

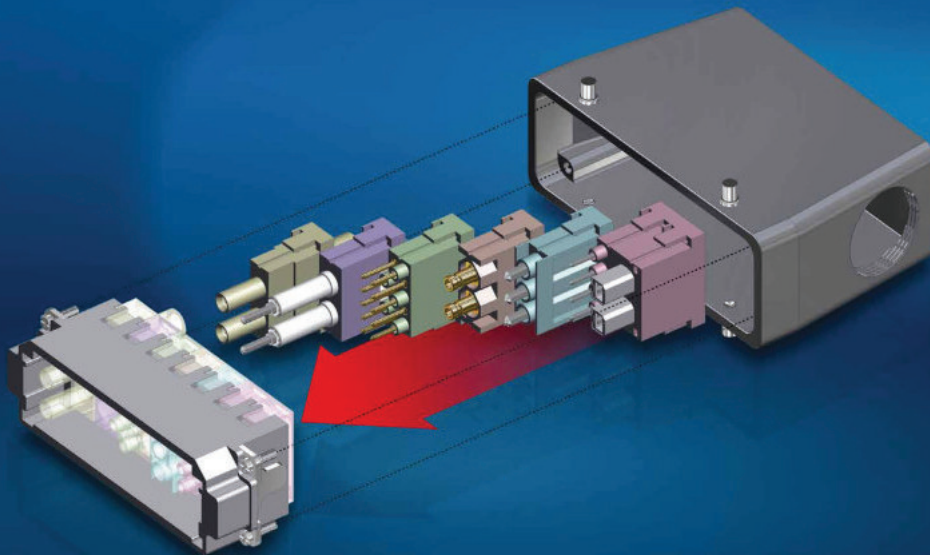
Type / Version / Part number	Picture / Drawing
Receptacle, panel mount GBR 7T2/7M Part no. 9077305	
Plug, panel mount GSR 7T2/7M Part no. 9077355	
Plug, cable mount, cable entry top M40 KSR 7T2/AO/7M Part no. 9077105	
Plug, cable mount, cable entry side 90° M40 KSR 7T2/AS/7M Part no. 9077205	
Receptacle, cable mount, cable entry top M40 KBR 7T2/AO/7M Part no. 9077155	
Receptacle, cable mount, cable entry side 90° M40 KBR 7T2/AS/7M Part no. 9077255	

drawing - dimensions in mm [inch]

**Cable glands and tools: page 185**




Part no.	Description	HV contacts	Plug	Receptacle	Cable mount	Connecting thread	Panel mount	Page
9021305	GBR 1T2/2M	2		•			•	158
9021355	GSR 1T2/2M	2	•				•	158
9021015	KSR 1T2/AO/2M	2	•		•	M25		158
9021205	KSR 1T2/AS/2M	2	•		•	M25		158
9021155	KBR 1T2/AO/2M	2		•	•	M25		158
9021255	KBR 1T2/AS/2M	2		•	•	M25		158
9022305	GBR 2T2/2M	4		•			•	159
9022355	GSR 2T2/2M	4	•				•	159
9022105	KSR 2T2/AO/2M	4	•		•	M25		159
9022205	KSR 2T2/AS/2M	4	•		•	M25		159
9022155	KBR 2T2/AO/2M	4		•	•	M25		159
9022255	KBR 2T2/AS/2M	4		•	•	M25		159
9033305	GBR 3T2/3M	6		•			•	160
9033355	GSR 3T2/3M	6	•				•	160
9033105	KSR 3T2/AO/3M	6	•		•	M32		160
9033205	KSR 3T2/AS/3M	6	•		•	M32		160
9033155	KBR 3T2/AO/3M	6		•	•	M32		160
9033255	KBR 3T2/AS/3M	6		•	•	M32		160
9054305	GBR 4T2/5M	8		•			•	161
9054355	GSR 4T2/5M	8	•				•	161
9054105	KSR 4T2/AO/5M	8	•		•	M40		161
9054205	KSR 4T2/AS/5M	8	•		•	M40		161
9054155	KBR 4T2/AO/5M	8		•	•	M40		161
9054255	KBR 4T2/AS/5M	8		•	•	M32		161
9055305	GBR 5T2/5M	10		•			•	162
9055355	GSR 5T2/5M	10	•				•	162
9055105	KSR 5T2/AO/5M	10	•		•	M40		162
9055205	KSR 5T2/AS/5M	10	•		•	M40		162
9055155	KBR 5T2/AO/5M	10		•	•	M40		162
9055255	KBR 5T2/AS/5M	10		•	•	M40		162
9076305	GBR 6T2/7M	12		•			•	163
9076355	GSR 6T2/7M	12	•				•	163
9076105	KSR 6T2/AO/7M	12	•		•	M40		163
9076215	KSR 6T2/AS/7M	12	•		•	M40		163
9076155	KBR 6T2/AO/7M	12		•	•	M40		163
9076255	KBR 6T2/AS/7M	12		•	•	M40		163
9077305	GBR 7T2/7M	14		•			•	164
9077355	GSR 7T2/7M	14	•				•	164
9077105	KSR 7T2/AO/7M	14	•		•	M40		164
9077205	KSR 7T2/AS/7M	14	•		•	M40		164
9077155	KBR 7T2/AO/7M	14		•	•	M40		164
9077255	KBR 7T2/AS/7M	14		•	•	M40		164





- Modules
- Module frames
- Industrial connector housings
- Contacts
- Screwed cable glands
- Tools


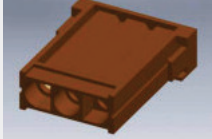
## High voltage modules


Picture	Description	Part Number	Operating voltage	Contact size	Wire size
	HiPro HV module plug, 2-pole	6111111	12 kVDC	2.5 mm <b>choose contacts from page 176</b>	AWG 20 – 12 0.5 – 4.0 mm <sup>2</sup>
	HiPro HV module socket, 2-pole	6111112			
	PTFE-1 module plug, 1-pole	6580000	12 kVDC	2.7 mm contacts included	AWG 14 2.5 mm <sup>2</sup>
	PTFE-1 module socket, 1-pole	6580100			
	PTFE-2 module plug, 2-pole	6580010	12 kVDC	2.7 mm contacts included	AWG 14 2.5 mm <sup>2</sup>
	PTFE-2 module socket, 2-pole	6580110			

## Low voltage modules

Picture	Description	Part Number	Operating voltage	Contact size	Wire size
	20-pole plug module	6575051	63 V	1.0 mm <b>choose contacts from page 178</b>	0.09 – 0.5 mm <sup>2</sup> AWG 28 – 20
	20-pole socket module	6575061			
	10-pole plug module	6575070	400 V	1.6 mm <b>choose contacts from page 179</b>	0.14 – 2.5 mm <sup>2</sup> AWG 26 - 14
	10-pole socket module	6575080			
	5-pole plug module	6575065	400 V	2.5 mm <b>choose contacts from page 180</b>	0.5 – 4.0 mm <sup>2</sup> AWG 20 - 12
	5-pole socket module	6575075			
	3-pole plug module	6575062	630 V	3.6 mm <b>choose contacts from page 181</b>	1.5 – 10.0 mm <sup>2</sup> AWG 16 – 8
	3-pole socket module	6575063			


## KOAX module

Picture	Description	Part Number	Operating voltage	Wire size
	3-pole KOAX plug module	6575072	250 V	RG 58, 174 179, 316
	3-pole KOAX socket module	6575082		

 **Contacts:** page 182

## RJ45 module

Picture	Description	Part Number
	RJ45 plug module CAT5e / USB type 2 + 4 male signal contacts 1.6 mm (AWG 26 – 14)	4100007
	RJ45 socket module CAT5e / USB type 2 + 4 female signal contacts 1.6 mm (AWG 26 – 14)	4200007

 **Contacts:** page 183

## Pneumatic modules - single shut-off

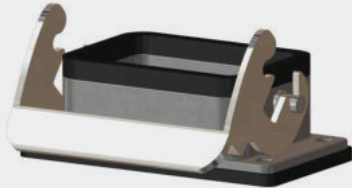
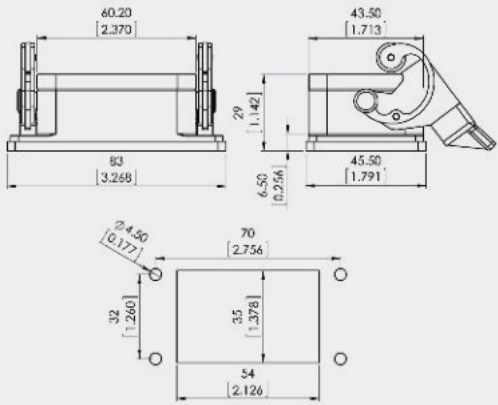

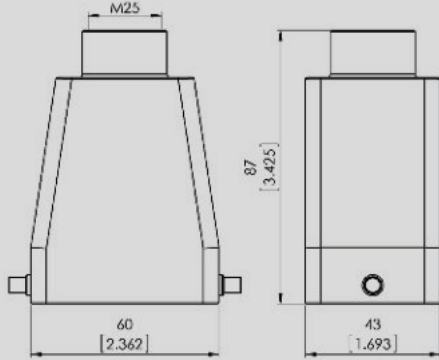
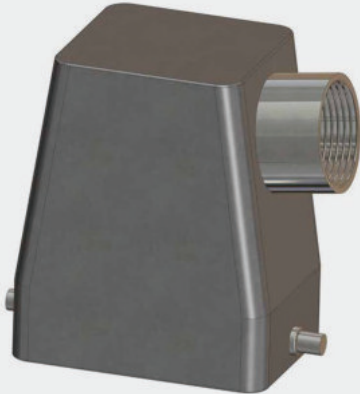
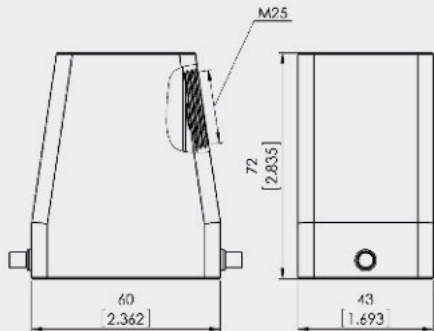
Picture	Description	Part Number	Number of contacts
	Pneumatic plug module ST-1PN-M hose size 2.5 mm	6580201	1
	Pneumatic socket module BU-1PN-M hose size 2.5 mm – with shut-off	6580251	
	Pneumatic plug module ST-1PN-M hose size 4.0 mm	6580204	
	Pneumatic socket module BU-1PN-M hose size 4.0 mm – with shut-off	6580254	
	Pneumatic plug module ST-2PN-M hose size 2.5 mm	6580202	2
	Pneumatic socket module BU-2PN-M hose size 2.5 mm – with shut-off	6580252	
	Pneumatic plug module ST-2PN-M hose size 4.0 mm	6580205	
	Pneumatic socket module BU-2PN-M hose size 4.0 mm – with shut-off	6580255	




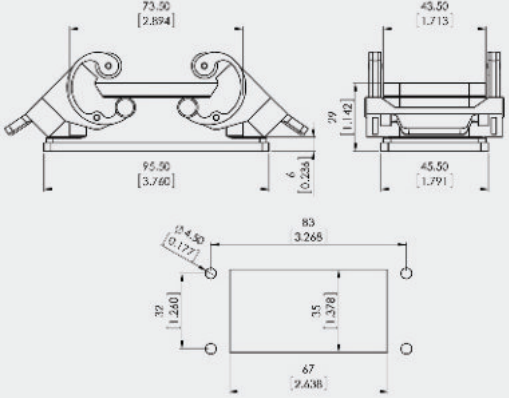

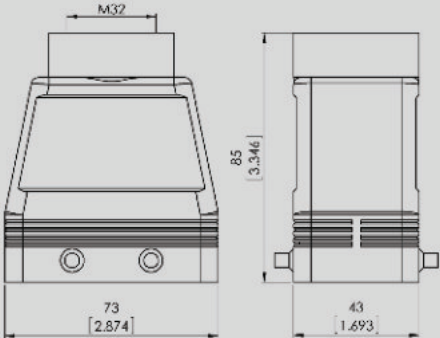

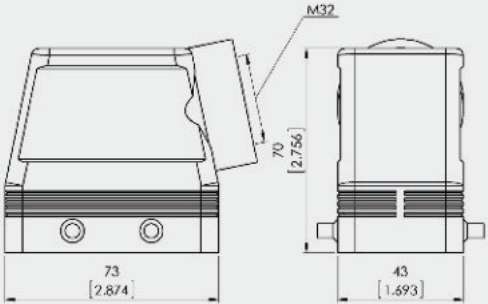
## Frames for plug and socket modules

Picture	Description	Part Number
	Module frame for plug modules Size: 2 modules	6575043
	Module frame for receptacle modules Size: 2 modules	6575033
	Module frame for plug modules Size: 3 modules	6575042
	Module frame for receptacle modules Size: 3 modules	6575032
	Module frame for plug modules Size: 5 modules	6575040
	Module frame for receptacle modules Size: 5 modules	6575030
	Module frame for plug modules Size: 7 modules	6575045
	Module frame for receptacle modules Size: 7 modules	6575035

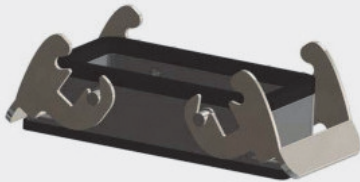
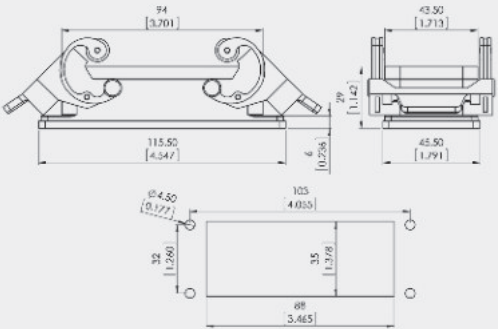

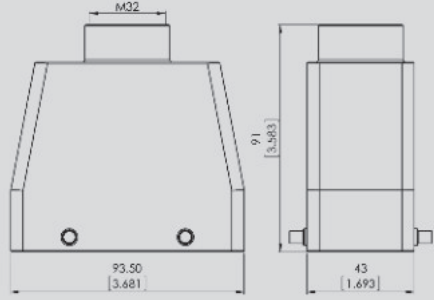
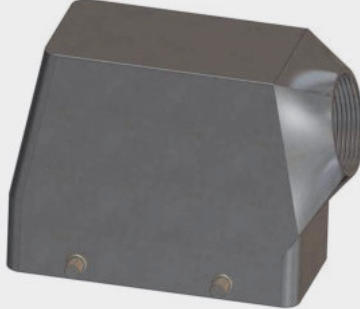
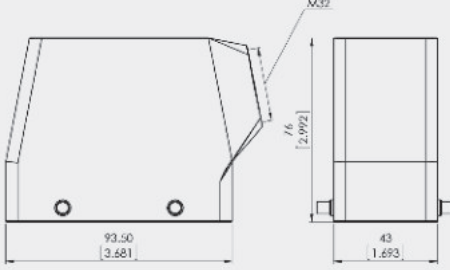
## Housings for 2 module frames

Picture	Description / Part Number	Drawing
	<p>Panel mount housing 2M/ LB</p> <p>for 2 modules frame 1-lever-locking system</p> <p>Part no. 6575158</p>	
	<p>Hood, top entry 2M/ HB/ AO/ M25/ LB</p> <p>for 2 modules frame cable top entry connecting thread M25 1-lever-locking system</p> <p>Part no. 6574931</p> <p>choose screwed cable gland from page 185</p>	
	<p>Hood, side entry 2M/ HB/ AS/ M25/ LB</p> <p>for 2 modules frame cable side entry 90° connecting thread M25 1-lever-locking system</p> <p>Part no. 6574930</p> <p>choose screwed cable gland from page 185</p>	

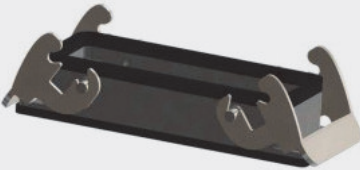
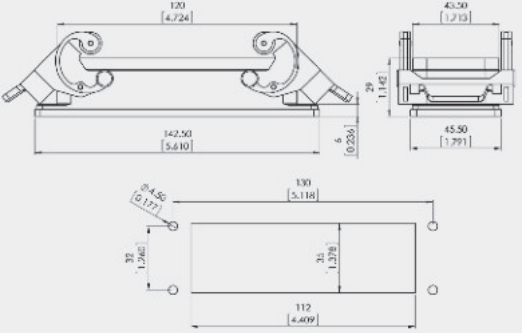
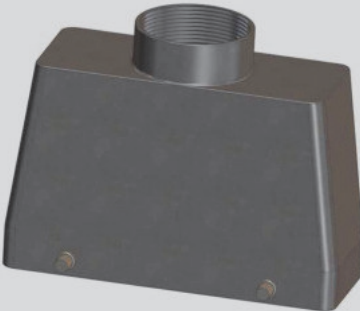
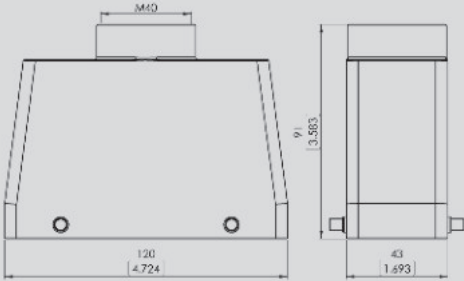

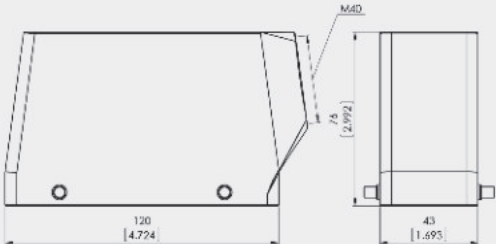
## Housings for 3 module frames

Picture	Description / Part Number	Drawing
	<p>Panel mount housing 3M/QB</p> <p>for 3 modules frame 2-lever-locking system</p> <p>Part no. 6575159</p>	
	<p>Hood, top entry 3M/ HB/ AO/ M32/ QB</p> <p>for 3 modules frame cable top entry connecting thread M32 2-lever-locking system</p> <p>Part no. 6574802 choose screwed cable gland from page 185</p>	
	<p>Hood, side entry 3M/ HB/ AS/ M32/ QB</p> <p>for 3 modules frame cable side entry 90° connecting thread M32 2-lever-locking system</p> <p>Part no. 6574807 choose screwed cable gland from page 185</p>	

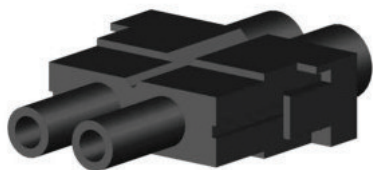
## Housings for 5 module frames

Picture	Description / Part Number	Drawing
	<p>Panel mount housing 5M/ QB</p> <p>for 5 modules frame 2-lever-locking system</p> <p>Part no. 6575161</p>	
	<p>Hood, top entry 5M/ HB/ AO/ M32/ QB</p> <p>for 5 modules frame cable top entry connecting thread M32 2-lever-locking system</p> <p>Part no. 6575147 choose screwed cable gland from page 185</p>	
	<p>Hood, side entry 5M/ HB/ AS/ M32/ QB</p> <p>for 5 modules frame cable side entry 90° connecting thread M32 2-lever-locking system</p> <p>Part no. 6574833 choose screwed cable gland from page 185</p>	

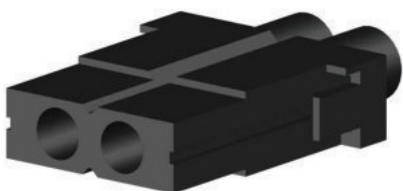
## Housings for 7 module frames

Picture	Description / Part Number	Drawing
	<p>Panel mount housing 7M/ QB</p> <p>for 7 modules frame 2-lever-locking system</p> <p>Part no. 6575162</p>	
	<p>Hood, top entry 7M/ HB/ AO/ M40/ QB</p> <p>for 7 modules frame cable top entry connecting thread M40 2-lever-locking system</p> <p>Part no. 6575163 choose screwed cable gland from page 185</p>	
	<p>Hood, side entry 7M/ HB/ AS/ M40/ QB</p> <p>for 7 modules frame cable side entry 90° connecting thread M40 2-lever-locking system</p> <p>Part no. 6574829 choose screwed cable gland from page 185</p>	

## HiPro HV module



plug module  
part no. 6111111



socket module  
part no. 6111112

General characteristics	Value
Number of contacts	2
Termination method	crimp / solder
Wire size	AWG 20 – 12 (0.5 – 4.0 mm <sup>2</sup> )
Flammability	UL94 V-0
Electrical characteristics	Value
Rated voltage	12 kV DC
Pollution degree	1
Material group	1
Test voltage	18 kV DC
Contact resistance	≤ 2 mΩ
Insulation resistance	≥ 10 <sup>10</sup> Ω
Climatical characteristics	Value
Rated temperature	-40°C to +125°C
Mechanical characteristics	Value
Mating cycles	≥ 500
Materials	
Insert (module)	PA 6.6 GF
Contacts	CuZn (brass)
Contacts surface plating	Ag (silver)

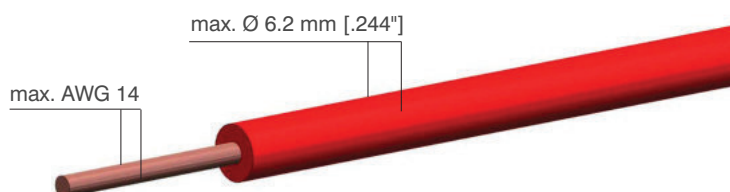
## Male contacts

Part no.	Description	Cross section in mm <sup>2</sup> (D)	AWG (D)	Picture / Drawing
6575087	male contact 2.5 mm / AWG 20	0.5	20	
6575089	male contact 2.5 mm / AWG 18	0.75 - 1.0	18	
6575092	male contact 2.5 mm / AWG 16	1.5	16	
6575094	male contact 2.5 mm / AWG 14	2.5	14	
6575091	male contact 2.5 mm / AWG 12	4.0	12	

## Female contacts

Part no.	Description	Cross section in mm <sup>2</sup> (D)	AWG (D)	Picture / Drawing
6575108	female contact 2.5 mm / AWG 20	0.5	20	
6575111	female contact 2.5 mm / AWG 18	0.75 - 1.0	18	
6575102	female contact 2.5 mm / AWG 16	1.5	16	
6575104	female contact 2.5 mm / AWG 14	2.5	14	
6575113	female contact 2.5 mm / AWG 12	4.0	12	

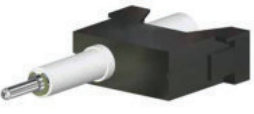
## Suitable cable dimensions (single wire)



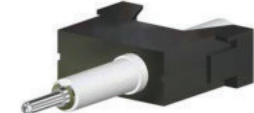
**PTFE HV module 1-pole**



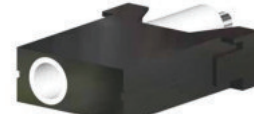
plug module  
part no. 6580000



plug module  
part no. 6580050



socket module  
part no. 6580100



socket module  
part no. 6580150



General characteristics	Value
Number of contacts	1
Termination method	solder
Termination size	AWG 14 (2.5 mm <sup>2</sup> )
Contact diameter	2.7 mm
Flammability	UL94 V-0
Electrical characteristics	Value
Rated voltage	12 kV DC
Pollution degree	1
Material group	1
Test voltage	18 kV DC
Contact resistance	300 μΩ
Climatical characteristics	Value
Rated temperature	-40°C to +125°C
Mechanical characteristics	Value
Mating cycles	≥ 100,000
Materials	
Insert (module)	PA 6.6 GF
Insulator	PTFE
Contacts	CuZn (brass)
Contacts surface plating	Ag (silver)

**PTFE HV module 2-pole**



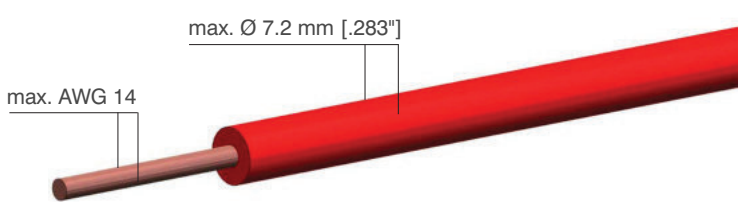
plug module  
part no. 6580010



socket module  
part no. 6580110

General characteristics	Value
Number of contacts	2
Termination method	solder
Termination size	AWG 14 (2.5 mm <sup>2</sup> )
Contact diameter	2.7 mm
Flammability	UL94 V-0
Electrical characteristics	Value
Rated voltage	12 kV DC
Pollution degree	1
Material group	1
Test voltage	18 kV DC
Contact resistance	300 μΩ
Climatical characteristics	Value
Rated temperature	-40°C to +125°C
Mechanical characteristics	Value
Mating cycles	≥ 100,000
Materials	
Insert (module)	PA 6.6 GF
Insulator	PTFE
Contacts	CuZn (brass)
Contacts surface plating	Ag (silver)

**Suitable cable dimensions (single wire)**



## 20-pole module



plug module  
part no. 6575051



socket module  
part no. 6575061

General characteristics	Value
Number of contacts	20
Termination method	crimp / solder
Termination size	AWG 28 – 20 (0.09 – 0.5 mm <sup>2</sup> )
Flammability	UL94 V-0
Electrical characteristics	Value
Rated voltage	63 V
Pollution degree	3
Overvoltage category	III
Material group	II
Rated impulse withstand voltage	4 kV
Contact resistance	≤ 5 mΩ
Insulation resistance	≥ 10 <sup>12</sup> Ω
Climatical characteristics	Value
Rated temperature	-40°C to +125°C
Mechanical characteristics	Value
Mating cycles	≥ 500
Materials	
Insert (module)	PA 6.6 GF
Male contacts	CuZn (brass)
Female contacts	CuSn (bronze)
Contacts surface plating	Au (oold)

## Male contacts

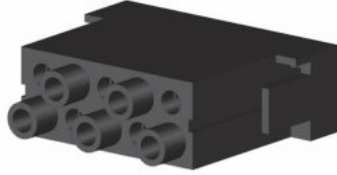
Part no.	Description	Cross section in mm <sup>2</sup> (D)	AWG (D)	Picture / Drawing
6575114	male contact AU 1.0 mm / AWG 28 - 24	0.09 - 0.25	28 - 24	
6575137	male contact AU 1.0 mm / AWG 24 - 20	0.25 - 0.5	24 - 20	

## Female contacts

Part no.	Description	Cross section in mm <sup>2</sup> (D)	AWG (D)	Picture / Drawing
6575115	female contact AU 1.0 mm / AWG 28 - 24	0.09 - 0.25	28 - 24	
6575136	female contact AU 1.0 mm / AWG 24 - 20	0.25 - 0.5	24 - 20	



**10-pole module**



plug module  
part no. 6575070



socket module  
part no. 6575080

General characteristics	Value
Number of contacts	10
Termination method	crimp / solder
Termination size	AWG 26 – 14 (0.14 – 2.5 mm <sup>2</sup> )
Flammability	UL94 V-0
Electrical characteristics	Value
Rated voltage	400 V
Pollution degree	3
Overvoltage category	III
Material group	II
Rated impulse withstand voltage	6 kV
Contact resistance	≤ 5 mΩ
Insulation resistance	≥ 10 <sup>10</sup> Ω
Climatical characteristics	Value
Rated temperature	-40°C to +100°C
Mechanical characteristics	Value
Mating cycles	≥ 500
Materials	
Insert (module)	PA 6.6 GF
Contacts	CuZn (brass)
Contacts surface plating	Ag (silver) / Au (gold)

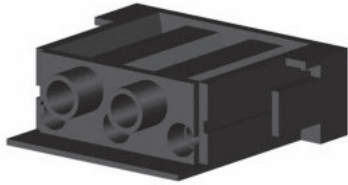
**Male contacts**

Part no.	Description	Cross section in mm <sup>2</sup> (D)	AWG (D)	Silver plated	Gold plated	Picture / Drawing
6575085	male contact 1.6 mm / AWG 26 - 22	0.14 - 0.37	26 - 22	•		
6575086	male contact 1.6 mm / AWG 20	0.5	20	•		
6575088	male contact 1.6 mm / AWG 20 - 16	0.75 - 1.0	20 - 16	•		
6575090	male contact 1.6 mm / AWG 16 - 15	1.5	16 - 15	•		
6575083	male contact 1.6 mm / AWG 14	2.5	14	•		
6575118	male contact AU 1.6 mm / AWG 26 - 22	0.14 - 0.37	26 - 22		•	
6575121	male contact AU 1.6 mm / AWG 20	0.5	20		•	
6575116	male contact AU 1.6 mm / AWG 20 - 16	0.75 - 1.0	20 - 16		•	
6575124	male contact AU 1.6 mm / AWG 16 - 15	1.5	16 - 15		•	
6575125	male contact AU 1.6 mm / AWG 14	2.5	14		•	

**Female contacts**

Part no.	Description	Cross section in mm <sup>2</sup> (D)	AWG (D)	Silver plated	Gold plated	Picture / Drawing
6575095	female contact 1.6 mm / AWG 26 - 22	0.14 - 0.37	26 - 22	•		
6575107	female contact 1.6 mm / AWG 20	0.5	20	•		
6575098	female contact 1.6 mm / AWG 20 - 16	0.75 - 1.0	20 - 16	•		
6575100	female contact 1.6 mm / AWG 16 - 15	1.5	16 - 15	•		
6575084	female contact 1.6 mm / AWG 14	2.5	14	•		
6575127	female contact AU 1.6 mm / AWG 26 - 22	0.14 - 0.37	26 - 22		•	
6575131	female contact AU 1.6 mm / AWG 20	0.5	20		•	
6575117	female contact AU 1.6 mm / AWG 20 - 16	0.75 - 1.0	20 - 16		•	
6575132	female contact AU 1.6 mm / AWG 16 - 15	1.5	16 - 15		•	
6575133	female contact AU 1.6 mm / AWG 14	2.5	14		•	

## 5-pole module



plug module  
part no. 6575065



socket module  
part no. 6575075

General characteristics	Value
Number of contacts	5
Termination method	crimp / solder
Termination size	AWG 20 – 12 (0.5 – 4.0 mm <sup>2</sup> )
Flammability	UL94 V-0
Electrical characteristics	Value
Rated voltage	400 V
Pollution degree	3
Overvoltage category	III
Material group	II
Rated impulse withstand voltage	6 kV
Contact resistance	≤ 2 mΩ
Insulation resistance	≥ 10 <sup>10</sup> Ω
Climatical characteristics	Value
Rated temperature	-40°C to +125°C
Mechanical characteristics	Value
Mating cycles	≥ 500
Materials	
Insert (module)	PA 6.6 GF
Contacts	CuZn (brass)
Contacts surface plating	Ag (silver)

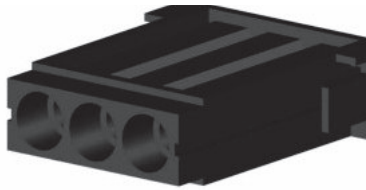
## Male contacts

Part no.	Description	Cross section in mm <sup>2</sup> (D)	AWG (D)	Picture / Drawing
6575087	male contact 2.5 mm / AWG 20	0.5	20	
6575089	male contact 2.5 mm / AWG 18	0.75 - 1.0	18	
6575092	male contact 2.5 mm / AWG 16	1.5	16	
6575094	male contact 2.5 mm / AWG 14	2.5	14	
6575091	male contact 2.5 mm / AWG 12	4.0	12	

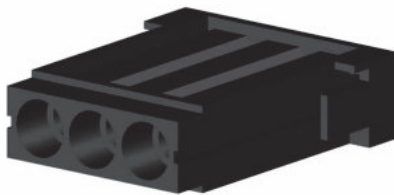
## Female contacts

Part no.	Description	Cross section in mm <sup>2</sup> (D)	AWG (D)	Picture / Drawing
6575108	female contact 2.5 mm / AWG 20	0.5	20	
6575111	female contact 2.5 mm / AWG 18	0.75 - 1.0	18	
6575102	female contact 2.5 mm / AWG 16	1.5	16	
6575104	female contact 2.5 mm / AWG 14	2.5	14	
6575113	female contact 2.5 mm / AWG 12	4.0	12	

**3-pole module**



plug module  
part no. 6575062



socket module  
part no. 6575063

General characteristics	Value
Number of contacts	3
Termination method	crimp / solder
Termination size	AWG 16 – 8 (1.5 – 10.0 mm <sup>2</sup> )
Flammability	UL94 V-0
Electrical characteristics	Value
Rated voltage	630 V
Pollution degree	3
Overvoltage category	III
Material group	II
Rated impulse withstand voltage	8 kV
Contact resistance	≤ 1 mΩ
Insulation resistance	≥ 10 <sup>10</sup> Ω
Climatical characteristics	Value
Rated temperature	-40°C to +125°C
Mechanical characteristics	Value
Mating cycles	≥ 500
Materials	
Insert (module)	PA 6.6 GF
Contacts	CuZn (brass)
Contacts surface plating	Ag (silver)

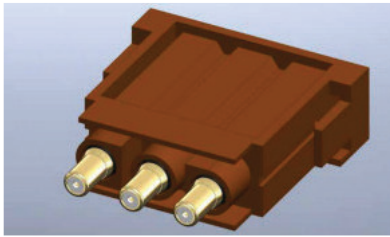
### Male contacts

Part no.	Description	Cross section in mm <sup>2</sup> (D)	AWG (D)	Picture / Drawing
6575099	male contact 3.6 mm / AWG 16	1.5	16	
6575106	male contact 3.6 mm / AWG 14	2.5	14	
6575093	male contact 3.6 mm / AWG 12	4.0	12	
6575139	male contact 3.6 mm / AWG 10	6.0	10	
6575096	male contact 3.6 mm / AWG 8	10.0	8	

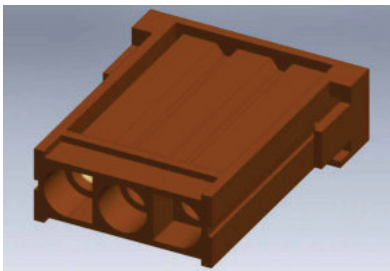
### Female contacts

Part no.	Description	Cross section in mm <sup>2</sup> (D)	AWG (D)	Picture / Drawing
6575109	female contact 3.6 mm / AWG 16	1.5	16	
6575105	female contact 3.6 mm / AWG 14	2.5	14	
6575103	female contact 3.6 mm / AWG 12	4.0	12	
6575138	female contact 3.6 mm / AWG 10	6.0	10	
6575097	female contact 3.6 mm / AWG 8	10.0	8	

## KOAX module



plug module  
part no. 6575072



socket module  
part no. 6575082

General characteristics	Value
Number of contacts	3
Termination method	crimp, solder
Termination size	RG 58, 174, 179, 316
Flammability	UL94 V-0
Electrical characteristics	Value
Rated voltage	250 V
Pollution degree	3
Overvoltage category	III
Material group	II
Impedance	50 Ω
Frequency range	2 GHz
Climatical characteristics	Value
Rated temperature	-40°C to +125°C
Mechanical characteristics	Value
Mating cycles	≥ 500
Materials	
Insert (module)	PA 6.6 GF
Module color	russet
Contacts surface plating	Au (gold)

## Male contacts

Part no.	Description	for cable size	Picture / Drawing
6575141	male coax contact RG 58	RG 58	
6575110	male coax contact RG 174, 179, 316	RG 174, 179, 316	

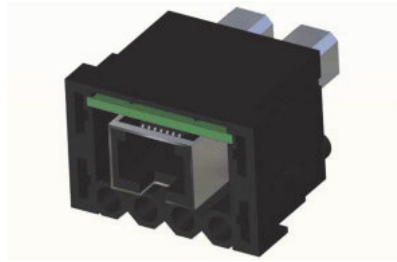
## Female contacts

Part no.	Description	for cable size	Picture / Drawing
6575142	female coax contact RG 58	RG 58	
6575112	female coax contact RG 174, 179, 316	RG 174, 179, 316	

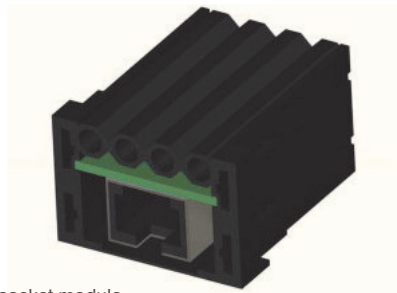
## Dimensions and stripping lengths

Type	L [mm]	D [mm]	E [mm]	F [mm]	G [mm]	Drawing
contacts (male/ female) for RG 58	26.3	3.2	9.5	7.9	2	
contacts (male/ female) for RG 174, 179, 316	23.6	1.7	7.9	6.3	2	

**RJ45 module**



plug module  
part no. 4100007



socket module  
part no. 4200007

General characteristics	Value RJ45 contacts	Value power contacts
Number of contacts	8 + shield	4
Termination method	plug	crimp
Termination size		AWG 26 – 14 (0.14 – 2.5 mm <sup>2</sup> )
Flammability	UL94 V-0	
Electrical characteristics	Value	
Rated voltage	30 V	400 V
Rated current	1 A	10A
Data transmission rate	100 Mbit/s	
Transfer response	In acc. with category 5 (CAT 5)	
Climatical characteristics	Value	
Rated temperature	-20°C to +80°C	
Mechanical characteristics	Value	
Mating cycles	≥ 500	
Materials	Value	
Insert (module)	PA 6.6 GF	
Contacts		CuZn (brass)
Contacts surface plating		Ag (silver) / Au (gold)

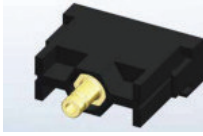
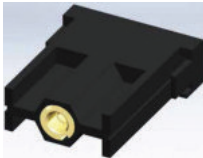
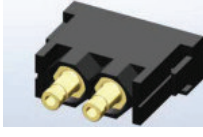
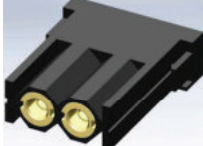
**Male contacts**

Part no.	Description	Cross section in mm <sup>2</sup> (D)	AWG	silver plated	gold plated	Picture / Drawing
6575085	male contact 1.6 mm / AWG 26 - 22	0.14 - 0.37	26 - 22	•		
6575086	male contact 1.6 mm / AWG 20	0.5	20	•		
6575088	male contact 1.6 mm / AWG 20 - 16	0.75 - 1.0	20 - 16	•		
6575090	male contact 1.6 mm / AWG 16 - 15	1.5	16 - 15	•		
6575083	male contact 1.6 mm / AWG 14	2.5	14	•		
6575118	male contact AU 1.6 mm / AWG 26 - 22	0.14 - 0.37	26 - 22		•	
6575121	male contact AU 1.6 mm / AWG 20	0.5	20		•	
6575116	male contact AU 1.6 mm / AWG 20 - 16	0.75 - 1.0	20 - 16		•	
6575124	male contact AU 1.6 mm / AWG 16 - 15	1.5	16 - 15		•	
6575125	male contact AU 1.6 mm / AWG 14	2.5	14		•	

**Female contacts**

Part no.	Description	Cross section in mm <sup>2</sup> (D)	AWG	silver plated	gold plated	Picture / Drawing
6575095	female contact 1.6 mm / AWG 26 - 22	0.14 - 0.37	26 - 22	•		
6575107	female contact 1.6 mm / AWG 20	0.5	20	•		
6575098	female contact 1.6 mm / AWG 20 - 16	0.75 - 1.0	20 - 16	•		
6575100	female contact 1.6 mm / AWG 16 - 15	1.5	16 - 15	•		
6575084	female contact 1.6 mm / AWG 14	2.5	14	•		
6575127	female contact AU 1.6 mm / AWG 26 - 22	0.14 - 0.37	26 - 22		•	
6575131	female contact AU 1.6 mm / AWG 20	0.5	20		•	
6575117	female contact AU 1.6 mm / AWG 20 - 16	0.75 - 1.0	20 - 16		•	
6575132	female contact AU 1.6 mm / AWG 16 - 15	1.5	16 - 15		•	
6575133	female contact AU 1.6 mm / AWG 14	2.5	14		•	

## Pneumatic modules for hose size 2.5 mm

Pneumatic module	
plug module part no. 6580201	
socket module part no. 6580251	
plug module part no. 6580202	
socket module part no. 6580252	


General characteristics	Value
Number of contacts	1, 2
Termination method	hose connection
Hose size (inner diameter)	2.5 mm
Flammability	UL94 V-0
Technical characteristics	Value
Operating pressure	8 bar with PTFE hose
Contact travel (feed path)	4 mm
Shut-off	one-sided (on socket module)
Recommended hose material	PTFE
Climatical characteristics	Value
Rated temperature	-20°C to +100°C
Mechanical characteristics	Value
Mating cycles	≥ 5000
Materials	
Insert (module)	PA 6.6 GF
Contacts	CuZn (brass)

## Pneumatic modules for hose size 4.0 mm

Pneumatic module	
plug module part no. 6580204	
socket module part no. 6580254	
plug module part no. 6580205	
socket module part no. 6580255	

General characteristics	Value
Number of contacts	1, 2
Termination method	hose connection
Hose size (inner diameter)	4.0 mm
Flammability	UL94 V-0
Technical characteristics	Value
Operating pressure	8 bar with PTFE hose
Contact travel (feed path)	4 mm
Shut-off	one-sided (on socket module)
Recommended tube material	PTFE
Climatical characteristics	Value
Rated temperature	-20°C to +100°C
Mechanical characteristics	Value
Mating cycles	≥ 5000
Materials	
Insert (module)	PA 6.6 GF
Contacts	CuZn (brass)

## Screwed cable glands

Picture	Description	Part number	Clamping range in mm (D)
	KV M25x1.5, 9 – 16 mm	1674119	9 – 16
	KV M25x1.5, 13 – 18 mm	1674117	13 – 18
	KV M32x1.5, 13 – 20 mm	1674082	13 – 20
	KV M32x1.5, 18 – 25 mm	1674078	18 – 25
	KV M40x1.5, 20 – 26 mm	1674072	20 – 26

## Tools

Description	Part number
Extracting tool for contacts 1.0 mm	3000000
Extracting tool for contacts 1.6 mm	3000001
Extracting tool for contacts 2.5 mm	3000003
Extracting tool for contacts 3.6 mm	3000004
Removal tool for modules	3000006
Crimping tool for contacts 1.0 mm	3000019
Crimping tool for contacts 1.6 / 2.5 mm	3000015
Crimping tool for contacts 3.6 mm	3000020